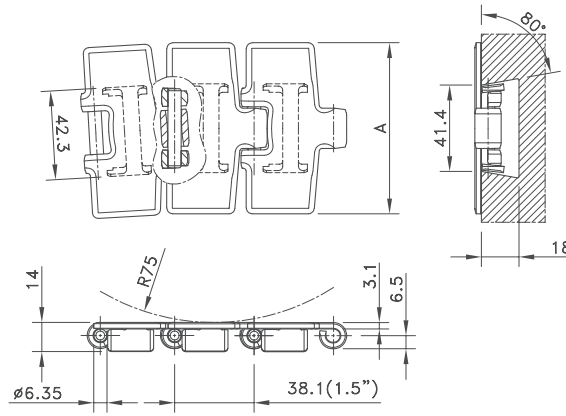


Sideflex Single Hinge Bevel

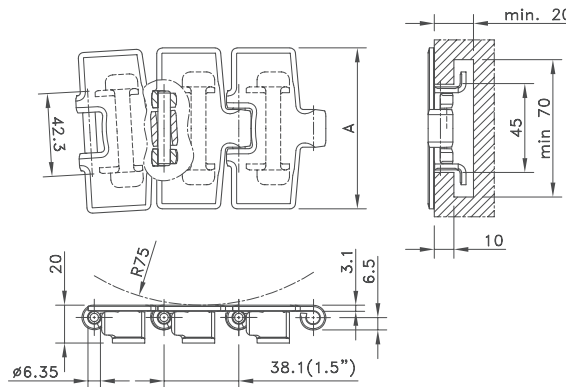


Chain Type	Code Number	Plate Width A		Weight kg/m	Surface Flatness (max.) mm	Polished Hinge Eyes	Working Load (max.) N
		mm	inch				
Austenitic Chrome Nickel							
SS 881-K325	765.32.31	82.5	3.25	2.97	0.18	no	3500
SS 881-K450	765.32.42	114.3	4.50	3.71	0.25	no	
SS 881-K750	765.32.72	190.5	7.50	5.49	0.60	no	
Carbon Steel							
S 881-K325	765.92.31	82.5	3.25	2.97	0.40	no	8350
S 881-K450	765.92.42	114.3	4.50	3.71	0.60	no	
S 881-K750	765.92.72	190.5	7.50	5.49	0.90	no	

Standard length: 3.048 m - 10 feet (80 links).

Sideflex radius min. 500 mm (for K325) and min. 610 mm (for K450 and K750).

Sideflex Single Hinge Tab

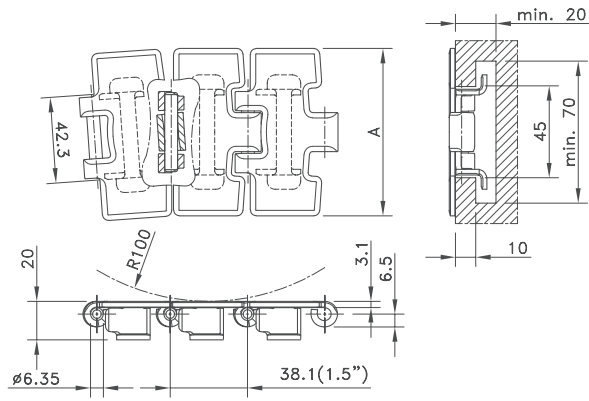
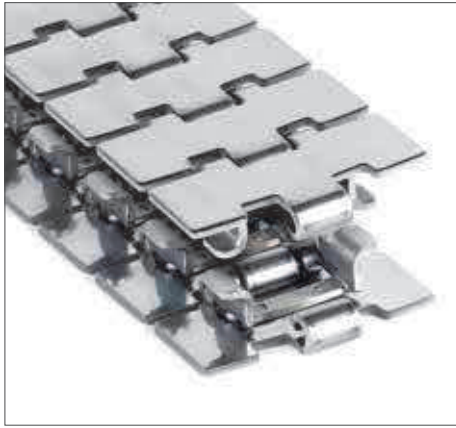


Chain Type	Code Number	Plate Width A		Weight kg/m	Surface Flatness (max.) mm	Polished Hinge Eyes	Working Load (max.) N
		mm	inch				
Austenitic Chrome Nickel							
SS 881 TAB-K325	765.31.31	82.5	3.25	2.97	0.18	no	3500
SS 881 TAB-K450	765.31.42	114.3	4.50	3.71	0.25	no	
SS 881 TAB-K750	765.31.72	190.5	7.50	5.49	0.60	no	
Carbon Steel							
S 881 TAB-K325	765.91.31	82.5	3.25	2.97	0.40	no	8350
S 881 TAB-K450	765.91.42	114.3	4.50	3.71	0.60	no	
S 881 TAB-K750	765.91.72	190.5	7.50	5.49	0.90	no	

Standard length: 3.048 m - 10 feet (80 links).

Sideflex radius min. 500 mm (for K325 and K450) and min. 610 mm (for K750).

Sideflex Single Hinge Tab Max-Line



Pag. 122

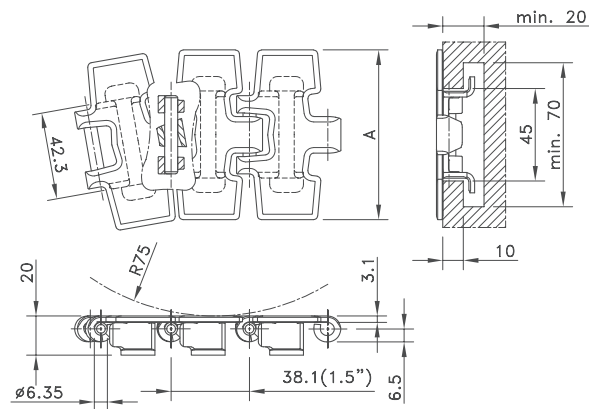


Pag. 61

Chain Type	Code Number	Plate Width A		Weight kg/m	Surface Flatness (max.) mm	Polished Hinge Eyes	Working Load (max.) N
		mm	inch				
10-Series							
10 T 31 M	768.13.01	82.5	3.25	3.10	0.18	no	4950
Opti-Plus							
SSC 8811 TAB-K325	10.114.21.11	82.5	3.25	3.10	0.18	no	6000
SSC 8811 TAB-K350	10.114.21.12	88.9	3.50	3.30	0.18	no	
SSC 8811 TAB-K450	10.114.21.14	114.3	4.50	3.80	0.25	no	
SSC 8811 TAB-K750	10.114.21.16	190.5	7.50	5.50	0.60	no	

Standard length: 3.048 m - 10 feet (80 links).
Sideflex radius min. 500 mm.

Sideflex Single Hinge Small Radius



Pag. 122



Pag. 61

Chain Type	Code Number	Plate Width A		Weight kg/m	Surface Flatness (max.) mm	Polished Hinge Eyes	Working Load (max.) N
		mm	inch				
Opti-Plus							
SSR 8811 TAB BO-K325	62969	82.5	3.25	3.10	0.18	no	4500

Standard length: 3.048 m - 10 feet (80 links).
Sideflex radius min. 200 mm.